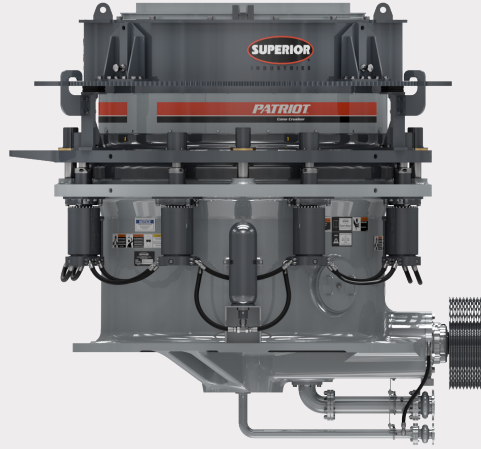




PATRIOT® CONE CRUSHER

MODEL: P500HD



Head Diameter (mm)	59" (1,500)	Head Angle	50°
Weight (kg)	112,685 lbs. (51,113)	Operating Speed	960-1,400 rpm
Recommended HP (kw)	500 (372) / 600 (450)	Stroke/Head Throw (mm)	5.3" (134)
Max. Feed Opening (mm)	14.0" (356)	Counterweight Protection	Guard and headskirt
Setting Adjustment Type	Hydraulic drive	Readout for Accurate CSS	Optional
Thread Lock Type	Hydraulic clamping ring	Tramp Relief	Hydraulic w/ dual accumulators
Thrust Bearing Type	Bronze on steel bushing	Chamber Clearing	Hydraulic cylinders
Radial Bearing Type	Bronze bushing		

CAPACITY CHART*		
Setting inch (mm)	Min. Capacity sTPH (MTPH)	Max. Capacity sTPH (MTPH)
3/8" (10.0)	215 (195)	300 (272)
1/2" (13.0)	280 (254)	355 (322)
5/8" (16.0)	340 (308)	420 (381)
3/4" (19.0)	390 (354)	480 (436)
7/8" (22.0)	415 (377)	520 (472)
1" (25.0)	450 (408)	560 (508)
1-1/4" (32.0)	500 (454)	610 (553)
1-1/2" (38.0)	560 (508)	675 (612)
1-3/4" (45.0)	640 (581)	805 (730)
2" (51.0)	690 (626)	820 (744)

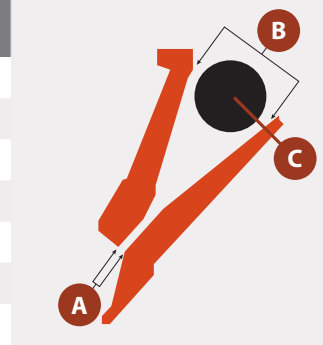
LIFTING WEIGHTS	
Items	Weight lbs. (kg)
Complete Crusher	112,685 (51,113)
Main Frame Assembly (Main Shaft and Frame Liner)	35,203 (15,968)
Bowl Assembly (Bowl Liner and Hopper Assembly)	25,673 (11,645)
Adjustment Ring (Includes Clamping Ring)	21,841 (9,907)
Head Assembly (Feed Plate Assembly and Mantle)	14,202 (6,442)
Counter-Shaft Box Assembly	1,471 (667)
Eccentric Assembly (Includes Counter-Weight)	8,009 (3,633)
Mantle	5,291 (2,400)
Bowl Liner	6,043 (2,741)
Motor Base	1,444 (655)

* All capacities are based on a bulk density of 100 lbs. per cu. ft. and a work index of 13.

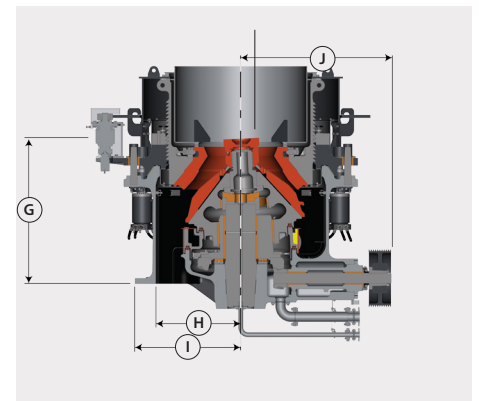
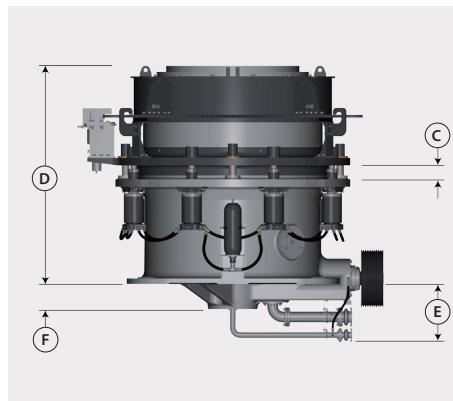
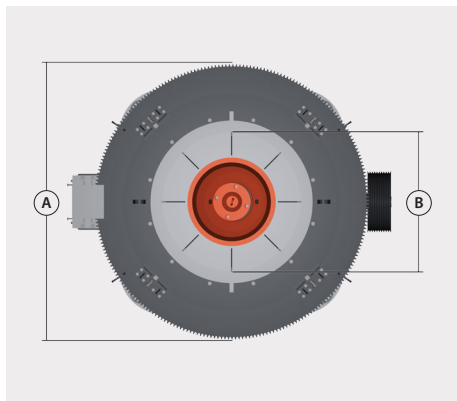
FEED OPENING DIMENSIONS

FEED OPENINGS

	A - Min. CSS inch (mm)	B - Max. Feed Opening inch (mm)	C - Max. Feed Size inch (mm)
Standard Extra Coarse	1.000" (25)	14.0" (355)	11.5" (292)
Standard Coarse	1.000" (25)	12.0" (304)	9.7" (246)
Standard Medium	0.875" (22)	11.4" (289)	9.1" (231)
Standard Fine	0.750" (20)	9.6" (243)	7.7" (195)
Short Head Coarse	0.625" (17)	8.9" (226)	7.3" (185)
Short Head Medium	0.500" (12)	7.1" (180)	4.3" (109)
Short Head Fine	0.375" (9)	6.2" (157)	3.4" (86)



GENERAL DIMENSIONS



OPERATING DIMENSIONS

	Description	Dimensions inch (mm)
A	Adjustment Ring Maximum Diameter	122" (3,098)
B	Inside Diameter Feed Hopper	69-1/4" (1,758)
C	Tramp Release Stroke	8" (203)
D	Height of Base to Top of Feed Hopper	113-1/8"* (2,873)
E	Base to Bottom of Oil Piping	27-7/8" (708)
F	Base to Bottom of Mainframe Hub	13" (330)
G	Base to Top of Feed Plate	82-13/16" (2,094)
H	Inner Flange Minimum Radius	33-1/2" (850)
I	Outer Maximum Radius	55-1/8" (1,400)
J	Crusher Centerline to End of Countershaft Assembly	78-1/4" (1,987)

INSTALLATION DIMENSIONS

	Description	Dimensions inch (mm)
	Counter Shaft Removal Clearance	124-7/16" (3,159)
	Bowl Removal Clearance from Bottom of Hub	176-1/8" (4,473)
	Head Assembly Removal Clearance from Bottom of Hub	167-1/8" (4,244)

*Bottom of Clearing Stroke