



# Center Pull Take-Ups

HIGH BELT TENSION APPLICATION

## High Quality, Long Lasting Construction

- Standard ACME rod
- ACME thread design provides quick movement and reliability in dusty or corrosive conditions
- Welders certified by American Welding Society (AWS D1.1)
- Durable powder coat finish

## Universal Design

- Industry standard design in hole dimensions, bolt spacing, bearing height and take-up lengths
- Impact wrench compatible
- Designed for high belt tension applications with a wide slot bearing preference
- Rexnord, Link Belt, Browning, Seal Master, Dodge and SKF bearing brands available

## Stocked and Readily Available

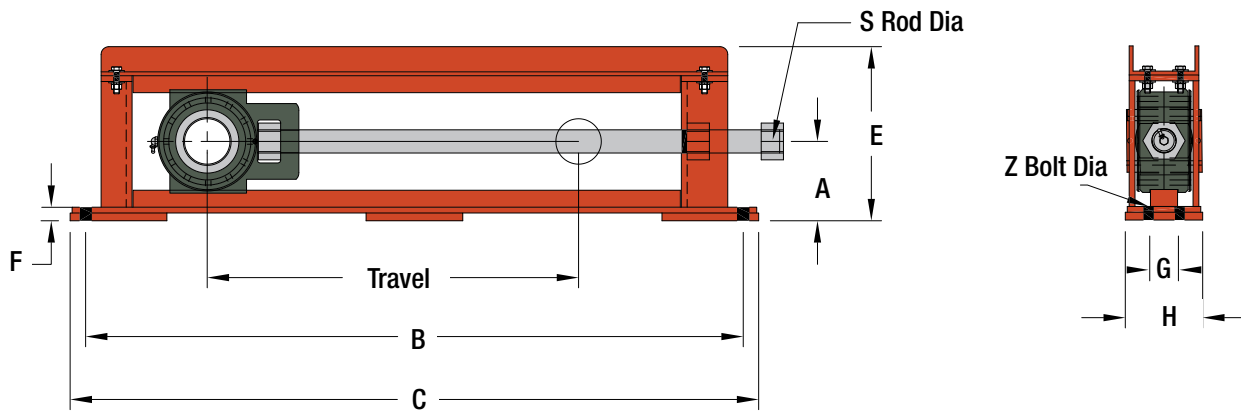
- Stocked by local distribution network
- Quick lead times from factory
- Broad size range, from 12" - 42" of travel



## Interchange and Bearing Sizes

Center Pull Take-Up Frame Sizes						Bearing Sizes (by bearing type)			
Superior	Dodge	PPI	CCI	Rexnord	Browning	Dodge Type E (WSTU-E), Browning TUE920	Dodge Type S-2000 (WSTUS2), Browning ST1000	Rex ZT2000	Rex ZT5000
TUCP-308	CP-308	PCP108	CCP308	ZHT-5	-	1-3/8" to 1-7/16"	1-3/8" to 1-1/2"	1-1/2"	-
TUCP-400	CP-400	PCP200	CCP400	ZHT-6	T1000D	1-1/2" to 2"	1-11/16" to 2"	1-11/16" to 2"	1-1/2" to 1-15/16"
TUCP-408	CP-408	PCP203	CCP408	ZHT-7	T1000EH	2-3/16"	2-3/16"	2-3/16" to 2-1/4"	2" to 2-3/16"
TUCP-502	CP-502	PCP208	CCP502	ZHT-8	T1000F	2-1/4" to 2-1/2"	2-7/16"	2-3/8" to 2-1/2"	2-7/16"
TUCP-515	CP-515	PCP300	CCP515	ZHT-9	T1000GH	2-11/16" to 3"	2-11/16" to 3"	2-11/16" to 3"	2-1/2" to 2-15/16"
TUCP-613	CP-613	PCP308	CCP613	ZHT-10	T1000JH	3-7/16" (TUE920 only)	3-7/16"	3-3/16" to 3-1/2"	3-3/16" to 3-7/16"
TUCP-810	CP-810	PCP400	CCP810	ZHT-11	T1000K	3-15/16" to 4-1/2" (TUE920)	3-15/16"	3-11/16" to 4"	3-11/16" to 4"
TUCP-908	CP-908	PCP408	-	ZHT-12	-	-	4-7/16"	-	4-3/16" to 4-1/2"
TUCP-1004	CP-1004	PCA500	-	ZHT-13	-	-	4-15/16"	-	4-15/16" to 5"

# Center Pull Take Up Specs



Part Number	Travel	WT (lbs)	A	B	C	E	F	H	G	S Rod Dia	Z Bolt Dia
TUCP-308-12	12	32	3-7/16	26	28	7	11/16	3	N/A	3/4	1/2
TUCP-308-18	18	37		32	34						
TUCP-308-24	24	41		38	40						
TUCP-308-30	30	47		44	46						
TUCP-308-36	36	52		50	52						
TUCP-400-12	12	52	3-15/16	27-1/2	29-1/2	8-5/8	13/16	4	N/A	1	5/8
TUCP-400-18	18	60		33-1/2	35-1/2						
TUCP-400-24	24	68		39-1/2	41-1/2						
TUCP-400-30	30	76		45-1/2	47-1/2						
TUCP-400-36	36	84		51-1/2	53-1/2						
TUCP-408-12	12	54	4-7/16	27-1/2	29-1/2	9-1/4	11/16	4	N/A	1-1/8	5/8
TUCP-408-18	18	62		33-1/2	35-1/2						
TUCP-408-24	24	70		39-1/2	41-1/2						
TUCP-408-30	30	78		45-1/2	47-1/2						
TUCP-408-36	36	86		51-1/2	53-1/2						
TUCP-502-12	12	62	4-3/8	28-1/2	30-1/2	9-1/2	13/16	4	N/A	1-1/4	3/4
TUCP-502-18	18	72		34-1/2	36-1/2						
TUCP-502-24	24	82		40-1/2	42-1/2						
TUCP-502-30	30	92		46-1/2	48-1/2						
TUCP-502-36	36	102		52-1/2	54-1/2						
TUCP-515-12	12	99	5-1/8	30-1/2	32-1/2	11-5/32	7/8	5	2	1-1/2	5/8
TUCP-515-18	18	115		36-1/2	38-1/2						
TUCP-515-24	24	131		42-1/2	44-1/2						
TUCP-515-30	30	148		48-1/2	50-1/2						
TUCP-515-36	36	164		54-1/2	56-1/2						
TUCP-613-12	12	125	5-5/8	32	34-1/4	12-1/16	15/16	5	2	1-3/4	3/4
TUCP-613-18	18	148		38	40-1/4						
TUCP-613-24	24	171		44	46-1/4						
TUCP-613-30	30	194		50	52-1/4						
TUCP-613-36	36	217		56	58-1/4						
TUCP-810-12	12	176	7	36	38-1/2	14-3/4	1-3/16	6	2-1/2	2	3/4
TUCP-810-18	18	200		42	44-1/2						
TUCP-810-24	24	224		48	50-1/2						
TUCP-810-30	30	248		54	56-1/2						
TUCP-810-36	36	272		60	62-1/2						
TUCP-908-12	12	285	7-1/2	40-3/4	45-3/4	16-1/16	1-1/4	9	5	2	1-1/8
TUCP-908-18	18	317		46-3/4	51-3/4						
TUCP-908-24	24	349		52-3/4	57-3/4						
TUCP-908-30	30	381		58-3/4	63-3/4						
TUCP-908-36	36	413		64-3/4	69-3/4						
TUCP-908-42	42	445		70-3/4	75-3/4						
TUCP-1004-12	12	391	8-1/8	44-1/2	49-1/2	17-5/16	1-1/2	10	5-1/2	2-1/4	1-1/8
TUCP-1004-18	18	430		50-1/2	55-1/2						
TUCP-1004-24	24	469		56-1/2	61-1/2						
TUCP-1004-30	30	508		62-1/2	67-1/2						
TUCP-1004-36	36	547		68-1/2	73-1/2						
TUCP-1004-42	42	586		74-1/2	79-1/2						

To get more information you can visit:  
[www.superior-ind.com](http://www.superior-ind.com) or call 1-800-437-9074

