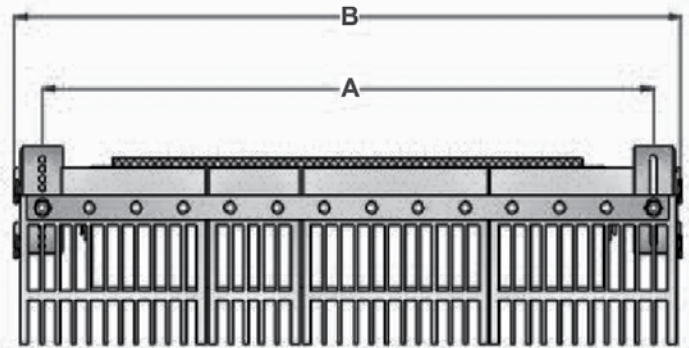
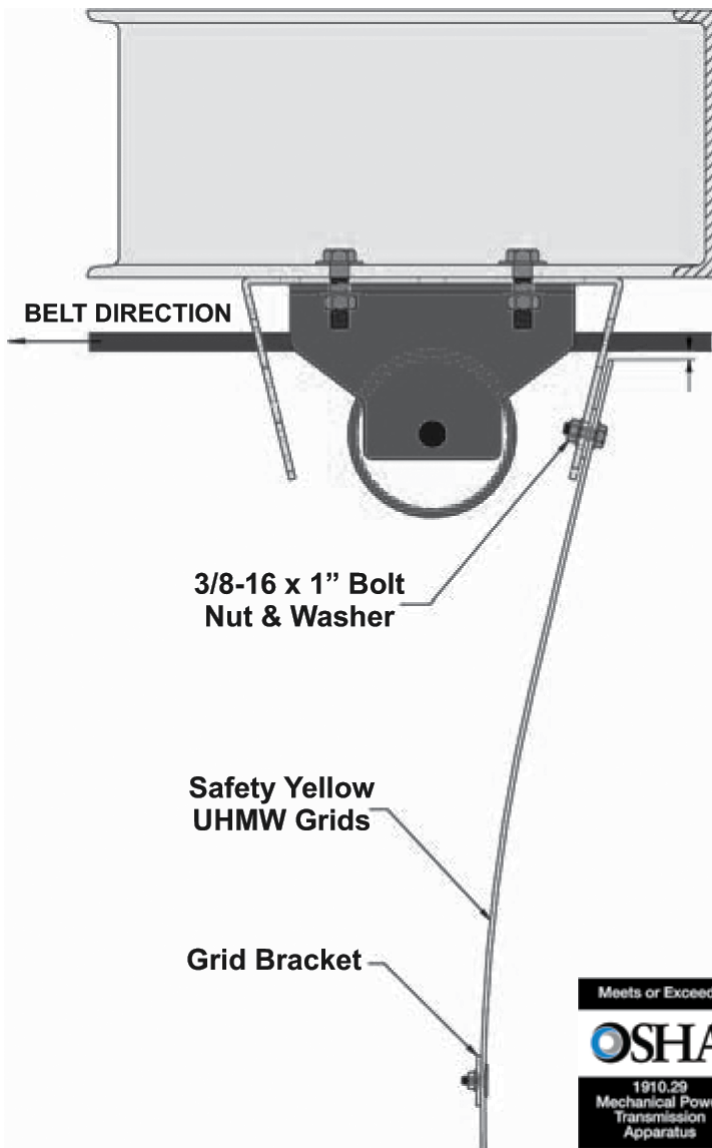


ShieldAll™ Roll Guard

Return Roll Guard

- ShieldAll roll guard prevents injuries from pinch points and will catch the return idler if it should fall.
- Durable UHMW slotted cage helps prevent material buildup and is easy to clean out using stainless steel fast pins to be able to remove one side of the cage for maintenance.
- Universal mounting brackets can be used with CEMA B, C, D, and E idlers up to 7" in diameter with either 1 1/2" or 4 1/2" drop brackets.



Dimensions (inches)

Part Number	Belt Width	A	B
44-040118	18	27	30.5
44-040124	24	33	36.5
44-040130	30	39	42.5
44-040136	36	45	48.5
44-040142	42	51	54.5
44-040148	48	57	60.5
44-040154	54	63	66.5
44-040160	60	69	72.5
44-040166	66	75	78.5
44-040172	72	81	84.5
44-040184	84	93	96.5
44-040196	96	105	108.5

To get more information you can visit:
www.superior-ind.com or call 1-800-437-9074

