



AUTO GREASER

Temperature Independent Automatic Lubrication System



BENEFITS

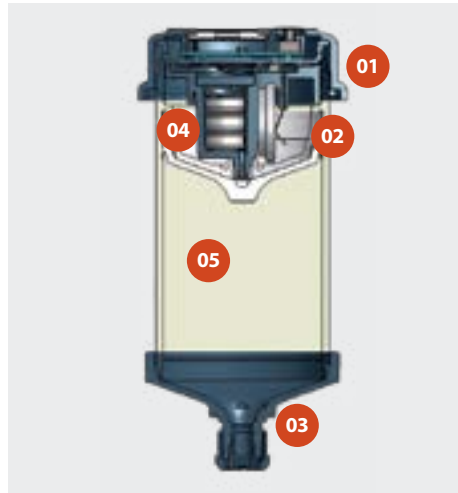
- » Lengthens life of conveyor components
- » Dispensing rate not affected by ambient temperature
- » Simple handling and setting adjustment
- » Broad range of settings to suit maintenance cycles
- » Suitable for single-point lubrication of roller or sliding bearings

SPECIFICATIONS

- » Ambient Temperature: -4° to 140° F (-20° to 60° C)
- » Discharge Period: 1, 2, 3 ... 12 months
- » Volume: 4.4 oz (130cc)
- » Housing: Transparent Plastic

FEATURES

- 01/ Auto greaser control unit
- 02/ Integrated battery
- 03/ Support flange with 1/4" npt outside thread
- 04/ Gas generating cell
- 05/ Lubricant
- 06/ Display (discharge period + function)
- 07/ Push button programming
- 08/ Reusable control unit



LUBRICATOR CARTRIDGE



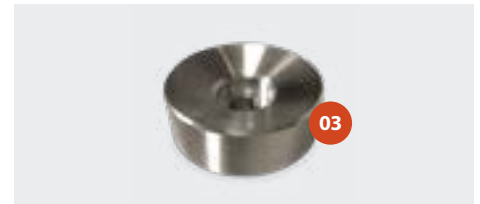
CAP

PARTS GUIDE

- 01/ Black Pipe Nipple
- 02/ Black tee-Pipe
- 03/ Adapter



45° ELBOW AND 90° TEE



ADAPTOR TOP VIEW



ADAPTOR BOTTOM VIEW