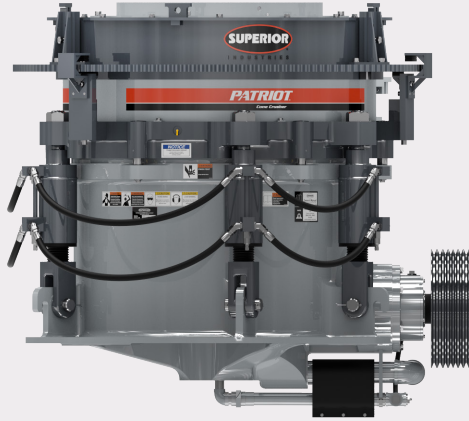




PATRIOT® CONE CRUSHER

MODEL: P300



Head Diameter (mm)	44" (1,117)	Head Angle	50°
Weight (kg)	35,340 lbs. (16,029)	Operating Speed	700-1,200 rpm
Recommended HP (kw)	300 (225)	Stoke/Head Throw (mm)	3.3" (83)
Max. Feed Opening (mm)	10.6" (270)	Counterweight Protection	Guard and headskirt
Setting Adjustment Type	Hydraulic drive	Readout for Accurate CSS	Optional
Thread Lock Type	Hydraulic clamping ring	Tramp Relief	Hydraulic w/ single accumulator
Thrust Bearing Type	Bronze on steel bushing	Chamber Clearing	Hydraulic cylinders
Radial Bearing Type	Bronze bushing		

CAPACITY CHART*

Setting inch (mm)	Min. Capacity sTPH (MTPH)	Max. Capacity sTPH (MTPH)
3/8" (10.0)	135 (123)	180 (163)
1/2" (13.0)	160 (145)	220 (200)
5/8" (16.0)	190 (172)	260 (236)
3/4" (19.0)	210 (191)	300 (272)
7/8" (22.0)	230 (209)	335 (304)
1" (25.0)	245 (222)	365 (331)
1-1/4" (32.0)	265 (240)	400 (363)
1-1/2" (38.0)	320 (290)	445 (404)
1-3/4" (45.0)	365 (331)	500 (454)
2" (51.0)	400 (363)	540 (490)

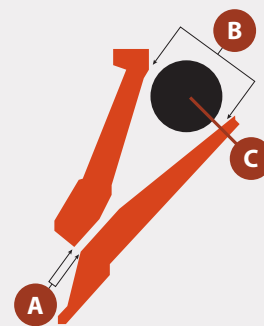
LIFTING WEIGHTS

Items	Weight lbs. (kg)
Complete Crusher	35,340 (16,030)
Main Frame Assembly (Main Shaft and Frame Liner)	10,670 (4,840)
Bowl Assembly (Bowl Liner and Hopper Assembly)	7,575 (3,440)
Adjustment Ring (Includes Clamping Ring)	5,100 (2,310)
Head Assembly (Feed Plate Assembly and Mantle)	4,650 (2,110)
Counter-Shaft Box Assembly	900 (410)
Eccentric Assembly (Includes Counter-Weight)	2,400 (1,090)
Hydraulic Power Unit; without oil/with oil	740/1,110 (340/500)
Lubrication Unit; without oil/with oil	1,515/2,140 (690/970)
Air Cooler	350 (160)

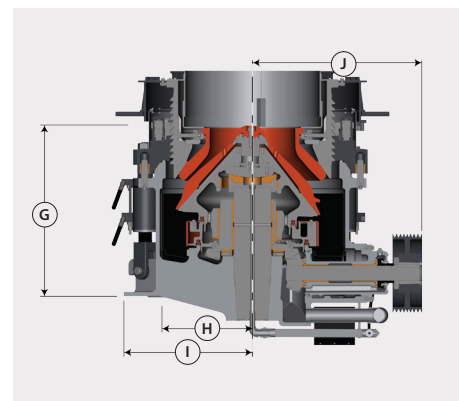
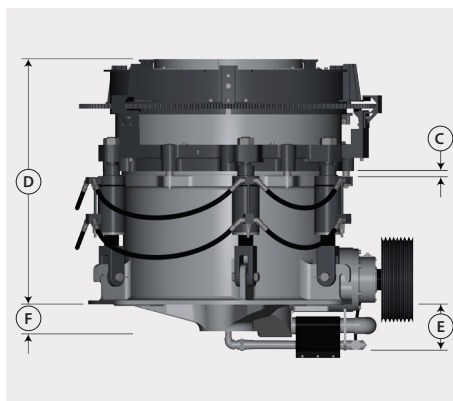
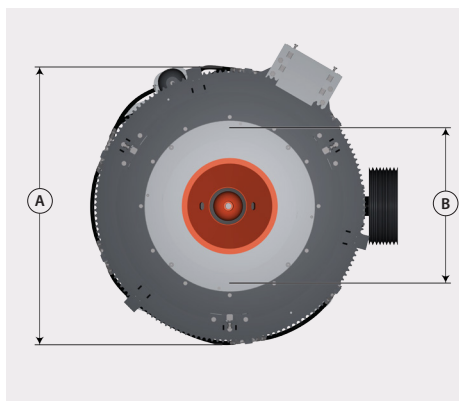
* All capacities are based on a bulk density of 100 lbs. per cu. ft. and a work index of 13.

FEED OPENING DIMENSIONS

FEED OPENINGS			
	A - Min. CSS inch (mm)	B - Max. Feed Opening inch (mm)	C - Max. Feed Size inch (mm)
Standard Coarse	0.750" (20)	9.6" (243)	7.7" (195)
Standard Medium	0.625" (17)	7.7" (195)	6.1" (154)
Standard Fine	0.500" (12)	6.6" (167)	5.3" (134)
Short Head Coarse	0.500" (12)	6.2" (157)	4.7" (119)
Short Head Medium	0.375" (9)	4.4" (111)	2.8" (71)
Short Head Fine	0.375" (9)	2.9" (73)	1.1" (27)



GENERAL DIMENSIONS



OPERATING DIMENSIONS		
	Description	Dimensions inch (mm)
A	Adjustment Ring Maximum Diameter	92" (2,336)
B	Inside Diameter Feed Hopper	42-1/2" (1,079)
C	Tramp Release Stroke	4" (101)
D	Height of Base to Top of Feed Hopper	72" (1,828)
E	Base to Bottom of Oil Piping	13" (330)
F	Base to Bottom of Mainframe Hub	7-1/2" (190)
G	Base to Top of Feed Plate	54-1/2" (1,384)
H	Inner Flange Minimum Radius	29-3/8" (746)
I	Outer Maximum Radius	44-1/2" (1,130)
J	Crusher Centerline to End of Countershaft Assembly	53-3/4" (1,365)

INSTALLATION DIMENSIONS		
	Description	Dimensions inch (mm)
	Counter Shaft Removal Clearance	45" (1,143)
	Bowl Removal Clearance from Bottom of Hub	101-1/2" (2,578)
	Head Assembly Removal Clearance from Bottom of Hub	97" (2,463)