

Urethane Beater Roll Installation



Read and understand equipment operators manual before operating or performing maintenance. Failure to do so could result in serious injury or death.

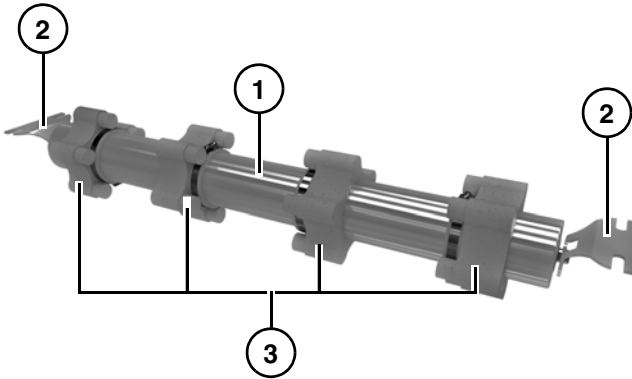
⚠ WARNING

Heed to the following warnings. Failure to do so could result in death or serious injury.

- Lockout/Tagout/Blockout before performing maintenance or installation.

Overview

Figure 38



1. Return Roll
2. Return Roll Bracket
3. Urethane Beater
(clamp not shown)

Note: "Warning Moving Parts" decal located on guard (2) (Figure 38).

Note: Urethane beater roll should be installed in a location that facilitates removal of material that has been cleaned from belt.

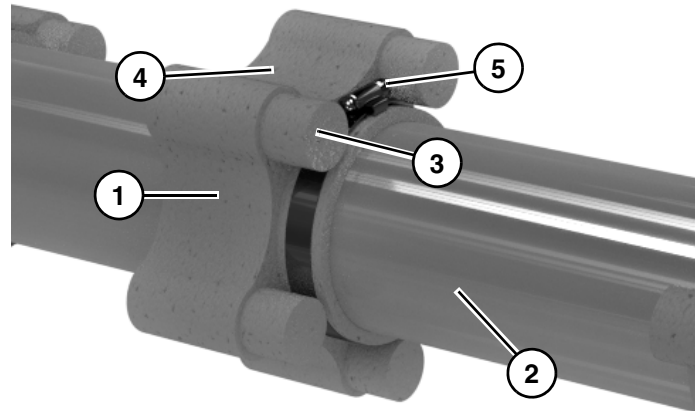
Roller Face Width	Beater Quantity
21" up to 30"	2
30" up to 39.25"	3
39.25" up to 59"	4
59" up to 63.5"	5

Urethane Beater Installation

NOTICE

- Do not over-tighten clamp. Doing so may result in stripping.

Figure 39



1. Slide beaters (1) onto return roll (2) to desired spacing (Figure 39).

Note: Leave at least 4" of space between beater and end of return rolls to prevent any damage if belt mistracks.

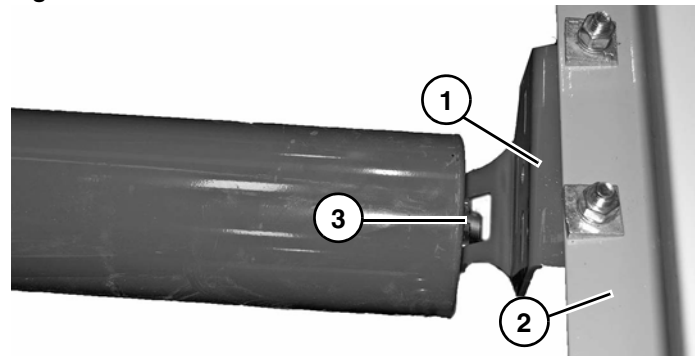
Note: Arrange beaters such that lobes (3) and valleys (4) of adjacent beater alternates position (Figure 39). Shown in (Figure 38)

2. Tighten clamp (5) (Figure 39) located near lobe on beater to secure on return roll.

Note: Hose clamp worm drive needs to be located near lobes to protect hose clamp and belt from damage.

Return Roll Installation

Figure 40



1. Bolt return brackets (1) to conveyor frame (2) using appropriate hardware (Figure 40).

Note: Do not fully tighten brackets at this point.

2. Place return roller (3) (Figure 40) into each bracket.

Note: Bend tab against shaft to fully secure roller.

3. Fully tighten brackets.

Maintenance

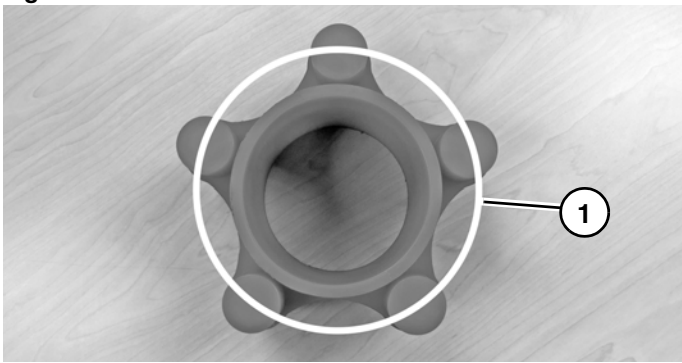
Daily:

- Check lobe and beater wear.

Note: Replace if wear is present.

Lobe Wear

Figure 41



Beater replacement is needed when lobes are half their original size (1) (Figure 41).

Part Number	Outside Diameter	Description
09-000018	7.5"	4" Lobed Disc
09-000019	9.5"	5" Lobed Disc
09-000020	10.5"	6" Lobed Disc