

Basket Catch Guards



Read and understand equipment operators manual before operating or performing maintenance. Failure to do so could result in serious injury or death.

Safety Information

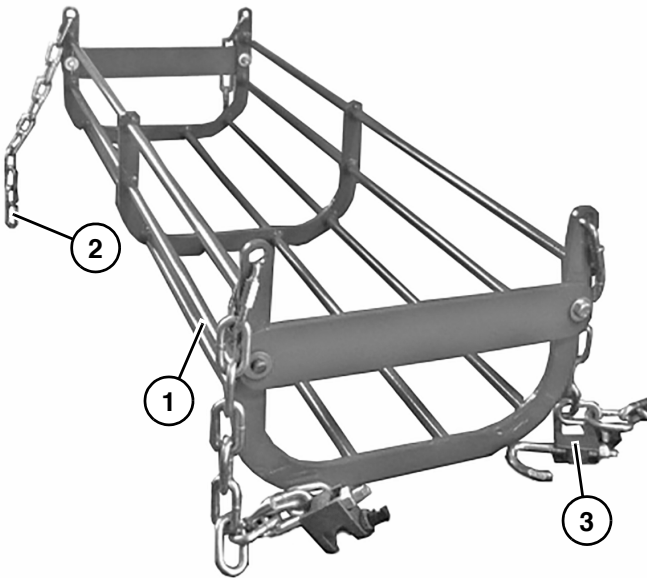
WARNING

Heed to following warnings. Failure to do so could result in death or serious injury.

- Lockout/Tagout/Blockout before performing maintenance or installation.

Overview

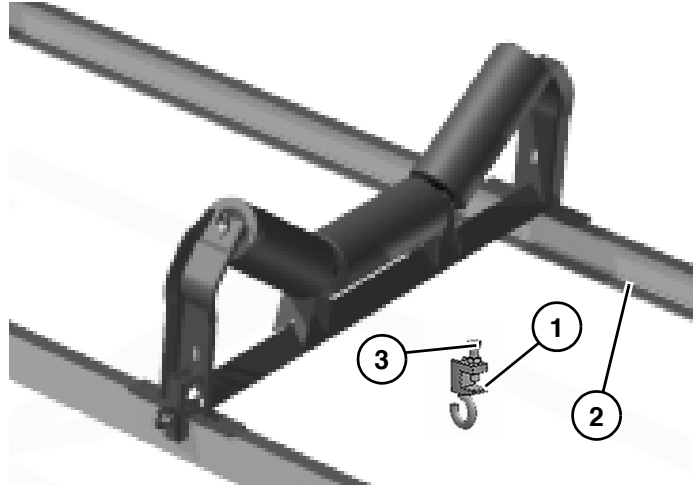
Figure 1



1. Basket Catch
2. Chain
3. Clamp

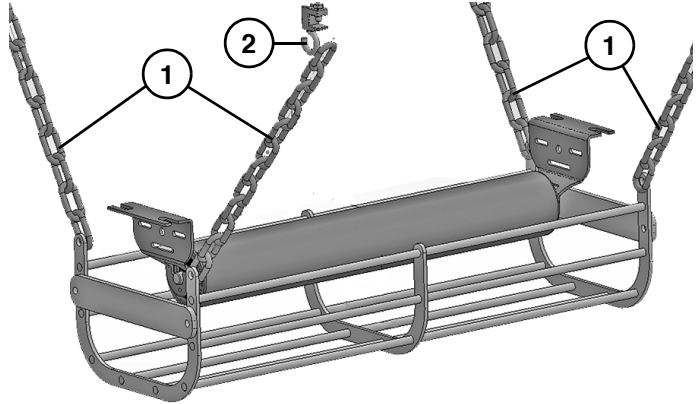
Installing Basket

Figure 2



1. Attach clamp (1) to inside of conveyor frame (2) (Figure 2).
2. Turn bolt on clamp (3) (Figure 2) to fully tighten and secure clamp to conveyor frame.

Figure 3



3. Attach chains (1) to clamp hooks (2) (Figure 3).