

# Basket Cage Return Guards



Read and understand equipment operators manual before operating or performing maintenance. Failure to do so could result in serious injury or death.

## Safety Information

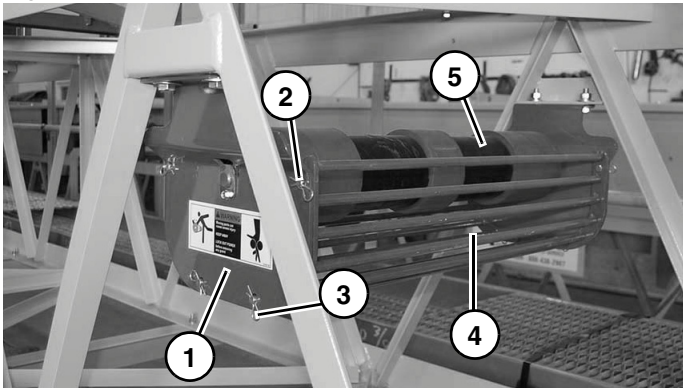
### WARNING

Heed to following warnings. Failure to do so could result in death or serious injury.

- Lockout/Tagout/Blockout before performing maintenance or installation.

## Overview

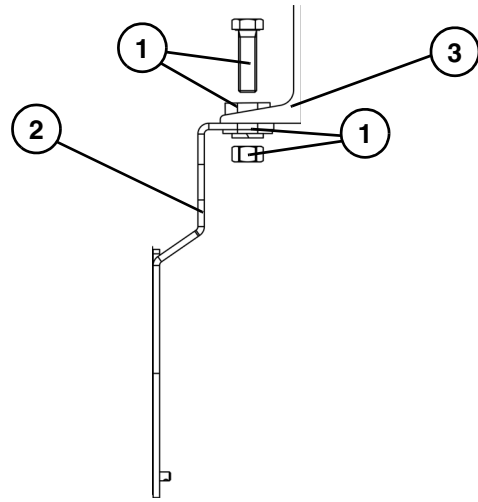
Figure 1



1. Bracket
2. Pin
3. Pin Clip
4. Basket Cage
5. Return Roll

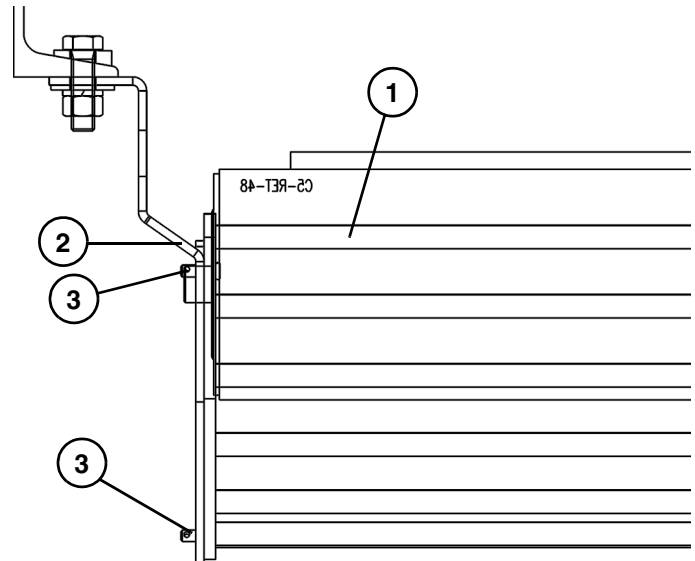
## Installing Basket Guard

Figure 2



1. Using appropriate equipment (1), attach bracket (2) to conveyor frame (3) (Figure 2).

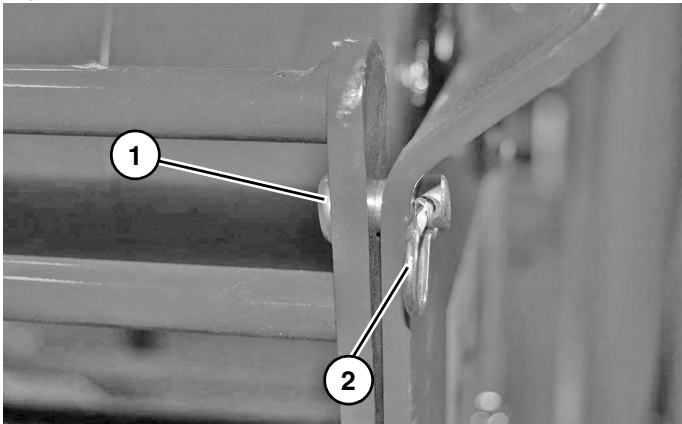
Figure 3



2. Secure cage (1) to bracket (2) with pins (3) (Figure 3).

Note: Five pins per bracket.

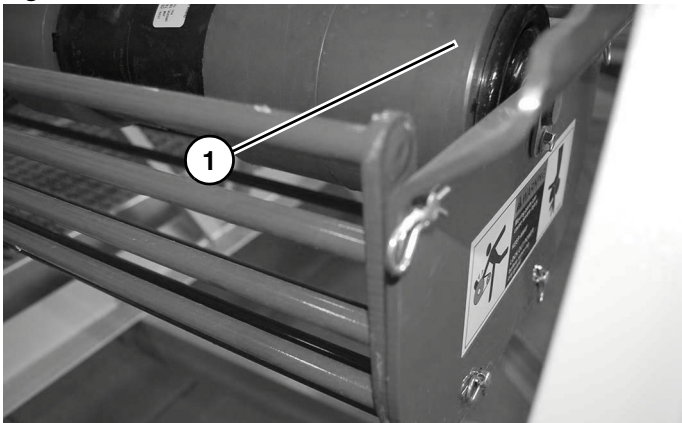
**Figure 4**



3. Secure pins (1) with clip (2) (Figure 4).

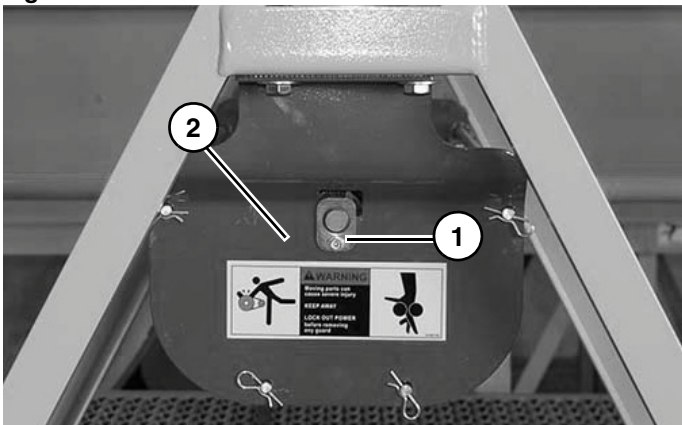
### **Install Return Roll**

**Figure 5**



1. Insert return roll (1) (Figure 5) into bracket slot.

**Figure 6**



2. Secure clip (1) to bracket (2) (Figure 6).