

Top Angle Take-up



Read and understand equipment operators manual before operating or performing maintenance. Failure to do so could result in serious injury or death.

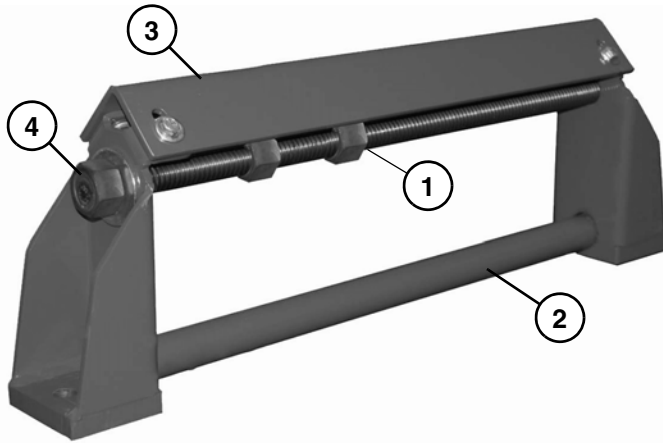
⚠ WARNING

Heed to the following warnings. Failure to do so could result in death or serious injury.

- Lockout/Tagout/Blockout before performing maintenance or installation.
- Take-ups must be mounted level to frame of conveyor and equally to each other.

Overview

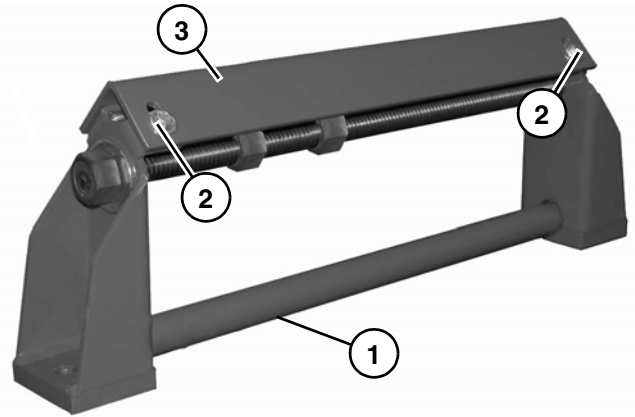
Figure 1



1. Bearing Rod
2. Take-up Frame
3. Top Angle Bracket
4. Take-up Adjustment Bolt

Installation

Figure 2

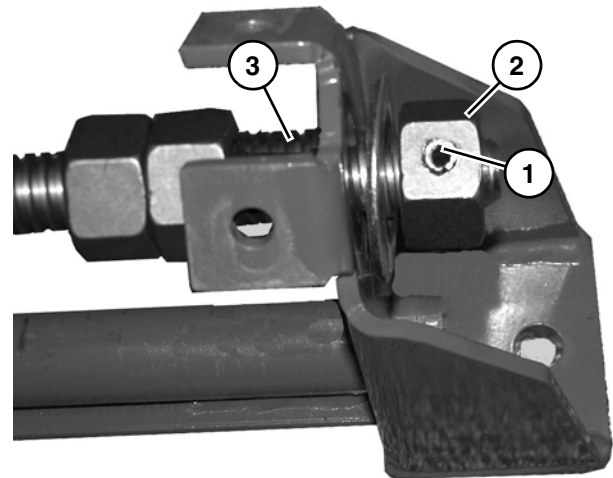


1. Determine correct position for take-up frame (1) (Figure 2) on conveyor.
2. Bolt the take-up frames to conveyor frame using appropriate bolts.

Note: Take-ups must be mounted level to frame of conveyor and equal to each other.

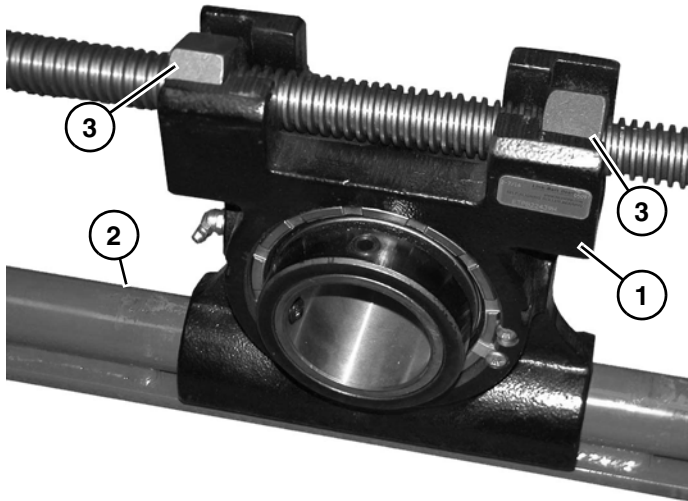
3. Remove four bolts (2) from top angle (3) of take up frame. (Figure 2)

Figure 3



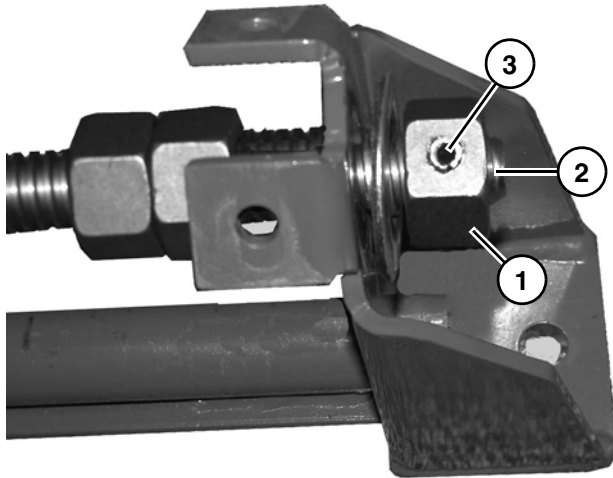
4. Remove pin (1) from nut (2) on end of acme rod (3). (Figure 3)
5. Remove nut (2) and turn acme rod (3) back. (Figure 3)

Figure 4



6. Place bearing (1) on bottom guide (2) of take-up. (Figure 4)
7. Adjust take-up nuts (3) to accommodate bearing (1). (Figure 4)

Figure 5



8. Replace nut (1) on end of acme rod (2) and reinsert pin (3). (Figure 5)
9. Reinstall top angle of take-up and tighten four bolts.

Superior Industries does not recommend training belt by unequal adjustment of take-ups. Take-ups should only be used for tensioning belt and keeping tail pulley square with conveyor frame.

Bearing Size Range

Take-up Frame Size				Bearing Sizes (by bearing type)			
Superior Industries	Dodge	PPI	CCI	Dodge Type E-TPE, Link Belt ETPB22400	Dodge S-2000	Dodge Normal Duty G (SC)	Dodge Medium Duty GM (SCM)
TUTA-100	TP-10	PTA200	CTA10	1-3/4" to 2"	1-15/16" to 2"	1-15/16" to 2"	1-11/16" to 1-3/4"
TUTA-200	TP-20	PTA203	CTA20	2-3/16"	-	2-3/16" to 2-1/4"	1-15/16" to 2"
TUTA-300	TP-30	PTA208	CTA30	2-1/4" to 2-1/2"	2-3/16"	2-7/16"	2-3/16" to 2-1/4"
TUTA-400	TP-40	PTA300	CTA40	2-11/1" to 3"	2-7/16" to 3"	2-15/16"	2-7/16" to 2-11/16"
TUTA-500	TP-50	PTA308	CTA50	3-3/16" to 3-1/2"	3-7/16"	-	2/15/16" to 3"
TUTA-600	TP-60	PTA400	CTA60	3-15/16" to 4"	3-15/16"	-	3-7/16" to 3-1/2"