

# Conveyor Cover - 1/2



Read and understand equipment operators manual before operating or performing maintenance. Failure to do so could result in serious injury or death.

## Safety Information

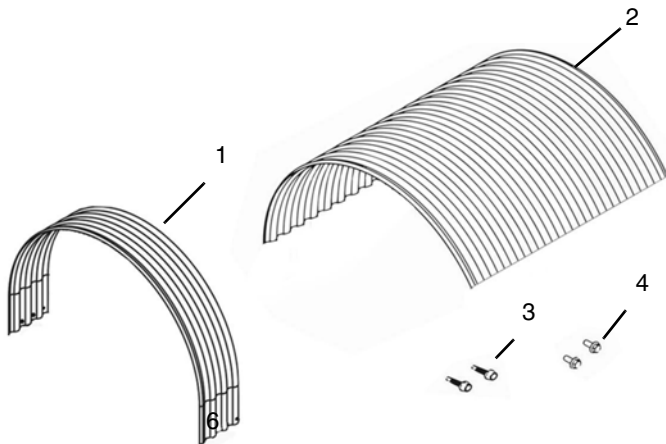
### ⚠ WARNING

Heed to the following warnings. Failure to do so could result in death or serious injury.

- Lockout/Tagout/Blockout before performing maintenance or installation.
- Use required PPE (personal protective equipment).
- Conveyor cover is not a safety guard.

## Product Overview

Figure 1



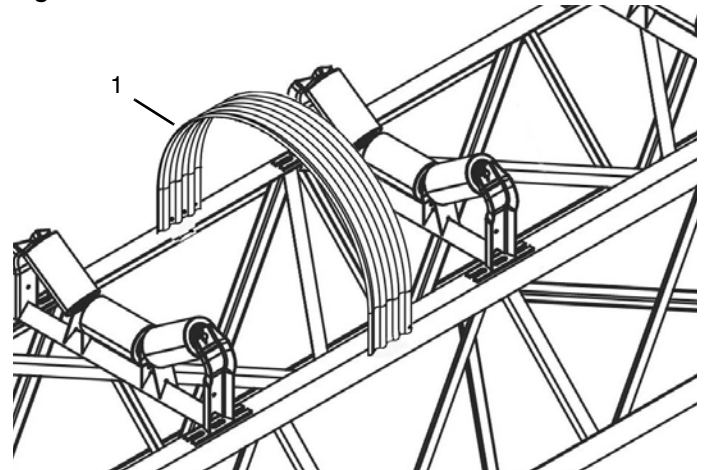
1. Bottom Conveyor Cover
2. Upper Conveyor Cover
3. Self Drilling Screw-5.5x32mm (4 per lower cover)
4. Self Tapping Screw-6.3x19mm (4 per cover)

## Installation

### NOTICE

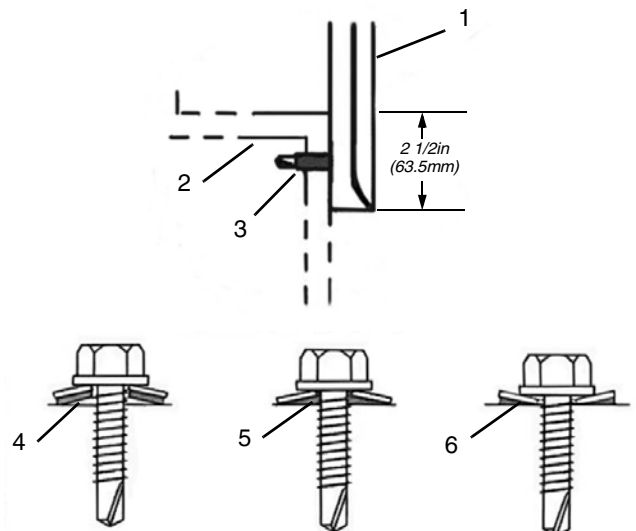
- Start at tail or head end of conveyor, depending on which end is critical to keep covered.
- Tighten self drilling screws correctly. (Figure 3)

Figure 2



1. Determine location of first bottom cover (1)

Figure 3

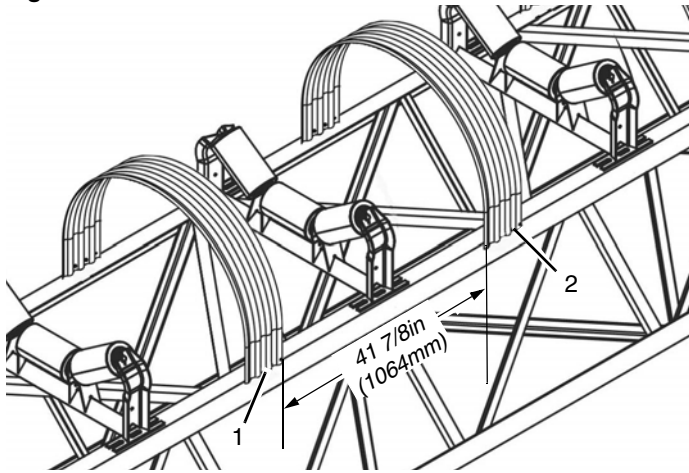


2. Measure 2 1/2in (1064mm) from top edge of conveyor structure (2).
3. Mount bottom cover (1) to both sides of conveyor structure (2) with 5.5x32mm self drilling screws (3).

Note: Pre-drilling holes for self drilling screws may be required.

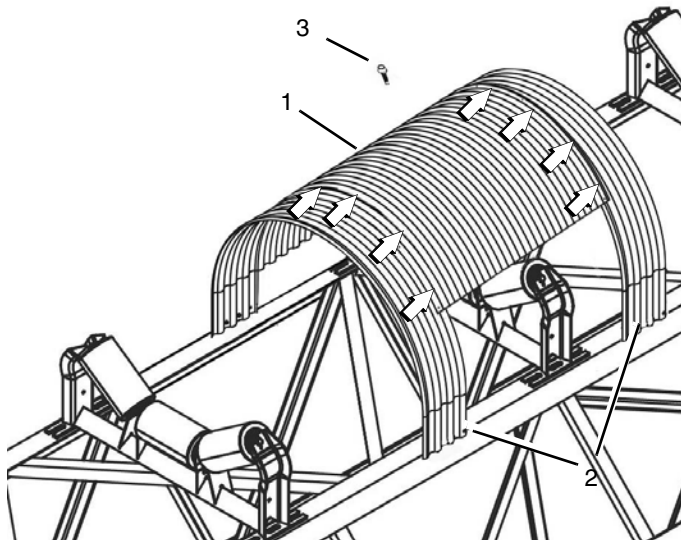
Note: Screw Too Loose (4), Correct (5), Screw Too Tight (6).

**Figure 4**



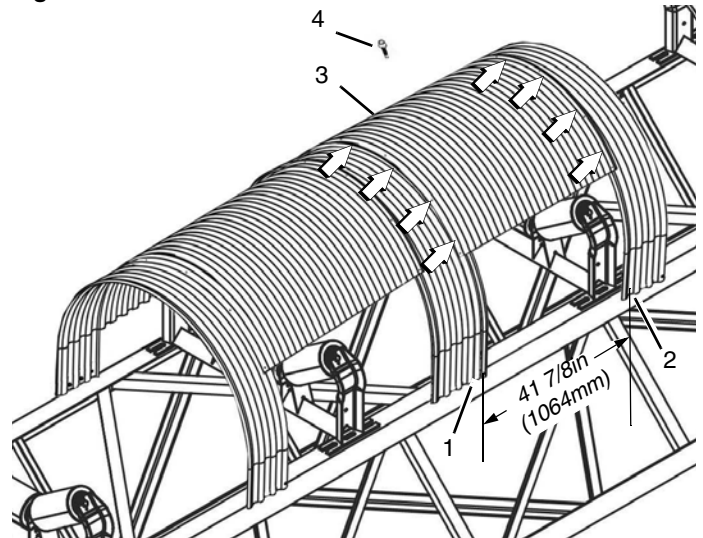
4. Measure 41 7/8in (1064mm) from back edge of first bottom cover (1) to front edge of second bottom cover (2).
5. Attached second bottom cover (2) to both sides of conveyor structure with 5.5x32mm self drilling screws.

**Figure 5**



1. Overlap top cover (1) over bottom covers (2) and attach with 6.3x19mm self tapping screws (3).

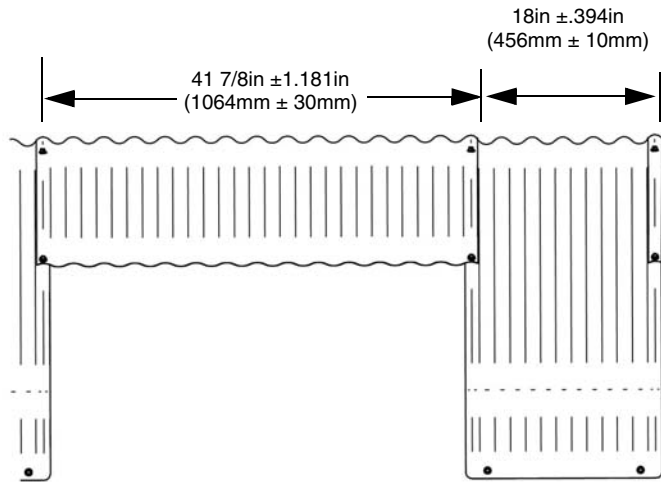
**Figure 6**



2. Measure 41 7/8in (1064mm) from back edge of second bottom cover (1) to front edge of third bottom cover (2).
3. Attached third bottom cover (2) to both sides of conveyor structure with 5.5x32mm self drilling screws.
4. Attach second top cover (3) with 6.3x19mm self tapping screws.
5. Continue mounting additional bottom and top covers in same manner.

# Specifications

Figure 7



**Weight:**

24" Belt Width .....	14lbs (6.35kg)
30" Belt Width .....	16lbs (7.26kg)
36" Belt Width .....	18lbs (8.16g)
42" Belt Width .....	20lbs (9.72kg)
48" Belt Width .....	23lbs (10.42kg)
60" Belt Width .....	27lbs (12.25kg)

Sheet Thickness: ..... 22ga (0.6mm)  
 18ga (1.2mm) on edges

## Part Replacement

The following parts are available from Superior Industries for part replacement.

Structure Width in (mm)	Part Number	Description
36 (914)	21-00377	Cover,Conv,24",BW,41"LG,3/4,Glv
42 (1067)	21-00379	Cover,Conv,30",BW,41"LG,3/4,Glv
48 (1219)	21-00381	Cover,Conv,36",BW,41"LG,3/4,Glv
54 (1371)	21-00383	Cover,Conv,42",BW,41"LG,3/4,Glv
60 (1524)	21-00385	Cover,Conv,48",BW,41"LG,3/4,Glv
72 (1829)	21-00387	Cover,Conv,60",BW,41"LG,3/4,Glv